

## Small Character Printing to Meet Your Applications

This continuous inkjet printer offers superior reliability and low maintenance needed for today's production environments.



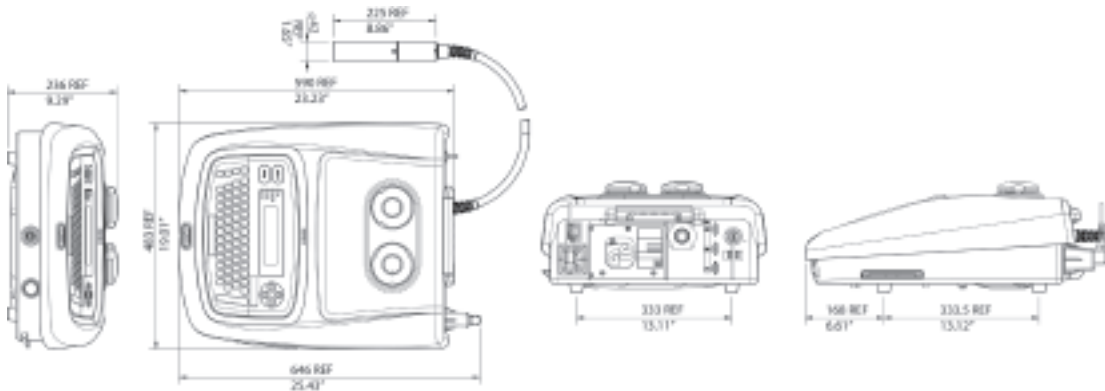
### LINX 4900 Features & Benefits:

The Linx 4900 is designed to minimize user-intervention, reducing the risk of introducing contaminants to the printhead and disrupting the print process. To accomplish this, the 4900 utilizes smart technology to monitor temperature, time of flight and ink pressure to ensure optimum fluid viscosity. Running parameters are monitored and adjusted by the printer automatically – limiting downtime!

- Sealed printhead requires no manual adjustments
- IP55 rating for washdown environments
- Stores up to 50 messages
- One button start up and shutdown with autoflush
- Mistake-proof fluid refill
- WYSIWIG user interface
- Automatic system diagnostics
- Self-adjusting printing parameters for maximum print quality and reliability
- Prints one to two lines of alphanumeric text and optional logos



### Dimensions



Autoflush of the printer and conduit at shutdown ensures trouble-free startups.

### Specifications

<b>Power Supply</b>	100-230V, 50-60Hz
<b>Weight</b>	44 lbs (20 kg)
<b>Enclosure</b>	Stainless steel
<b>Environment Protection Rating</b>	IP55
<b>Environment Operating Temperature</b>	41-113 degrees farhenheit (4-45C), humidity – 10-90%, non-condensing
<b>Lines of Print</b>	1 or 2
<b>Print Height</b>	.08"-.27"
<b>Print Speed</b>	Up to 23.8 feet per second
<b>Printed Characters per Second</b>	Up to 2222
<b>Maximum Message Length</b>	682 Characters
<b>Auto Codes</b>	Shift, date, time, count

### Applications



### Distributor Information

